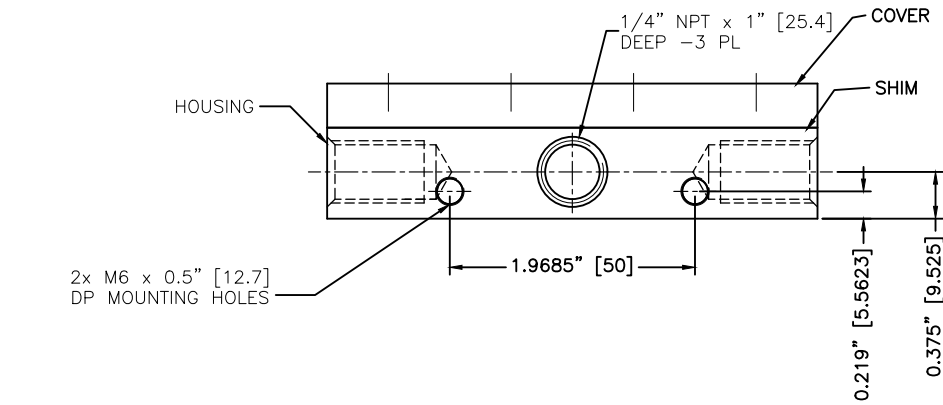
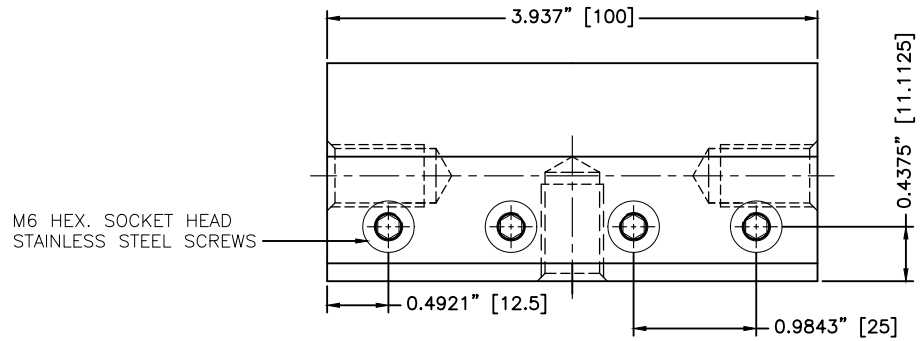
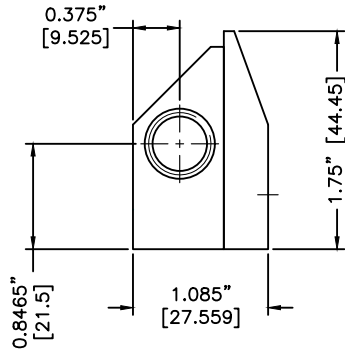


NOTES:

- 1 ALL DIMENSIONS SHOWN ARE FINISH OPERATIONAL DIMENSIONS WHICH INCLUDE RESIDUAL COATINGS UNLESS OTHERWISE SPECIFIED.
- 2 PART TO BE PACKED PROPERLY TO AVOID ANY DAMAGE WHILE SHIPPING & HANDLING.
- 3 ALL HORIZONTAL DIMENSIONS ARE SYMMETRICAL ABOUT CENTER LINE UNLESS OTHERWISE SPECIFIED.



THIRD ANGLE PROJECTION	REQUIREMENTS—UNLESS OTHERWISE SPECIFIED				CONTRACT NUMBER	NEX FLOW AIR PRODUCTS CORP.						
	GENERAL				CLIENT	10520 YONGE STREET, UNIT 35B-220, RICHMOND HILL, ON L4C 3C7						
MATERIAL ALUMINIUM	1. DIMS ARE IN INCHES (MM)				CONTRACTOR	TEL.: (416) 410-1313 & FAX: (416) 410-1806 www.nex-flow.com						
	2. DIMENSIONING AND TOLERANCING IN ACCORDANCE WITH ANSI Y14.5 (1982)				DATE	27/11/2013						
	3. MACHINE FINISH 125 MICRO INCH RMS				DESIGN	S.PATIL						
	4. INTERNAL RADII .015				CHECKED	ASHISH						
	5. BREAK SHARP CORNERS .005 TO .015				PROJECT	G.A.						
FINISH	LIMITS				STRESS	MANUFACTURING						
	1. LINEAR DIMS. XXX = .005 XX = .010 X = .030				THERMAL	MATERIALS						
	2. ANGLES = ± 1/2°				MECHANISM	ELECTRICAL						
	3. RUNOUT .010 TIR				SCALE		1:1		CAD NO	XAK-06		
4. HOLES IN ACCORDANCE WITH AND 10387				PART NO		NEXT ASSEMBLY		USED ON	QTY PER ASSY	PART NO	SHEET 1 OF 1	
TITLE		OUTLINE DRAWING OF 100mm X-STREAM AIR BLADE										
DRAWING NO		10000X-100										